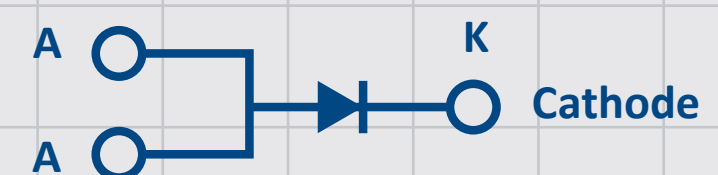
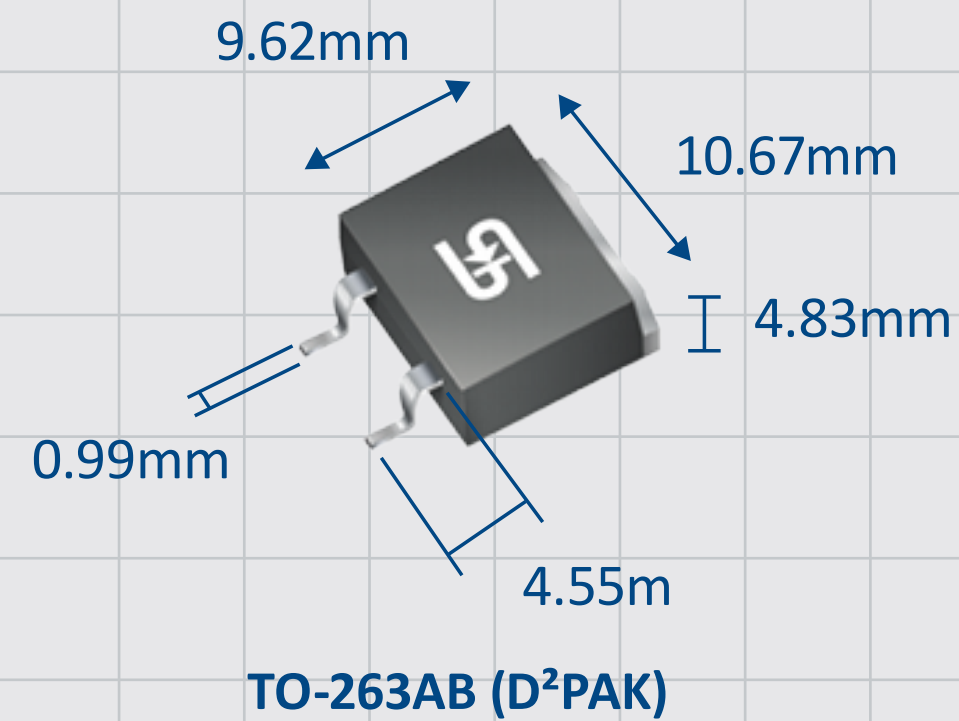


Automotive qualified 22-70V Load Dump TVS

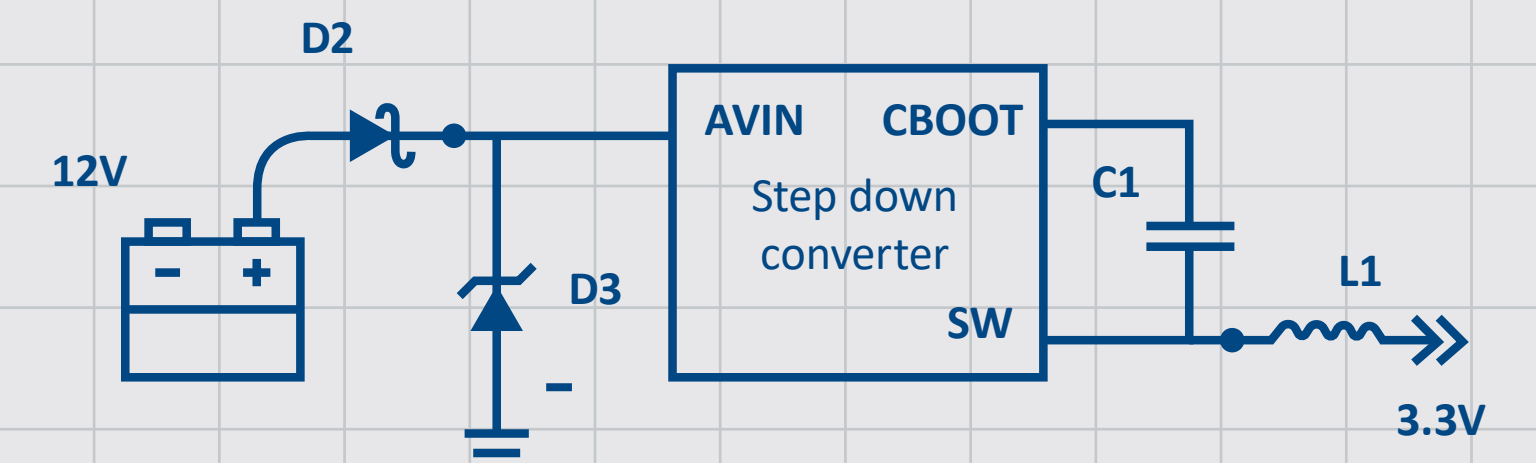
Taiwan Semiconductor's automotive-qualified 22V-70V Load Dump Uni-Directional TVS diodes provide reliable transient voltage protection for automotive electronics. Designed to withstand high-energy surges, these TVS diodes ensure the safety and longevity of ECUs, power management systems, LED lighting, and infotainment units.

With superior clamping performance and robust construction, they help safeguard sensitive components from voltage spikes, enhancing system stability and reliability.

PACKAGE

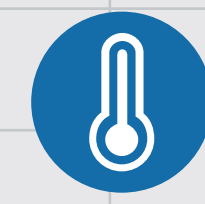


APPLICATIONS



Unidirectional TVS protection. A Schottky diode is placed in series before the TVS, requiring it to withstand significant surge currents

FEATURES



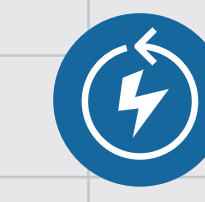
T_j max, up to
175°C



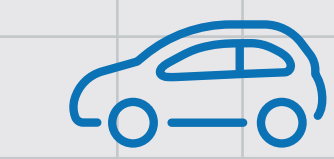
**AUTOMOTIVE
QUALIFIED
AEC-Q101**



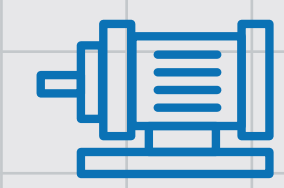
MEETS SURGE SPECIFICATION
(Varied by test conditions)
ISO7637-2 / ISO16750-2



**LOW LEAKAGE
CURRENT**
1μA at 25 °C



AUTOMOTIVE



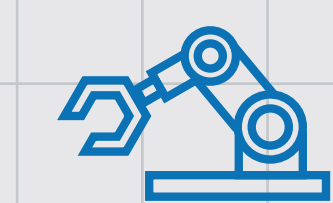
MOTOR



**REVERSE
BATTERY
PROTECTION**



**CAR
LIGHTING**



**ROBOTIC
ARM**

SPECIFICATION

Part number	P_{jMax} (°C)	V_{WM} (V)	V_{BR} (V)
TLD26AH - TLD82AH	175	22 - 70	26 - 82



Official Website



X



LinkedIn

For more information: marketing@ts.com.tw

© 2025 TAIWAN SEMICONDUCTOR, CO., LTD. ALL RIGHTS RESERVED.



www.taiwansemi.com